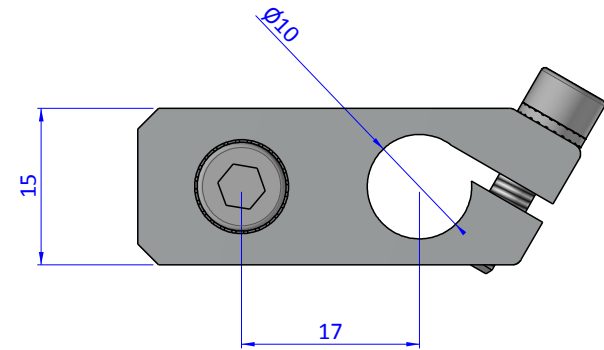
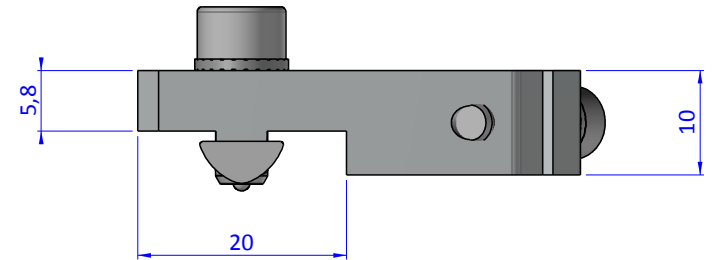
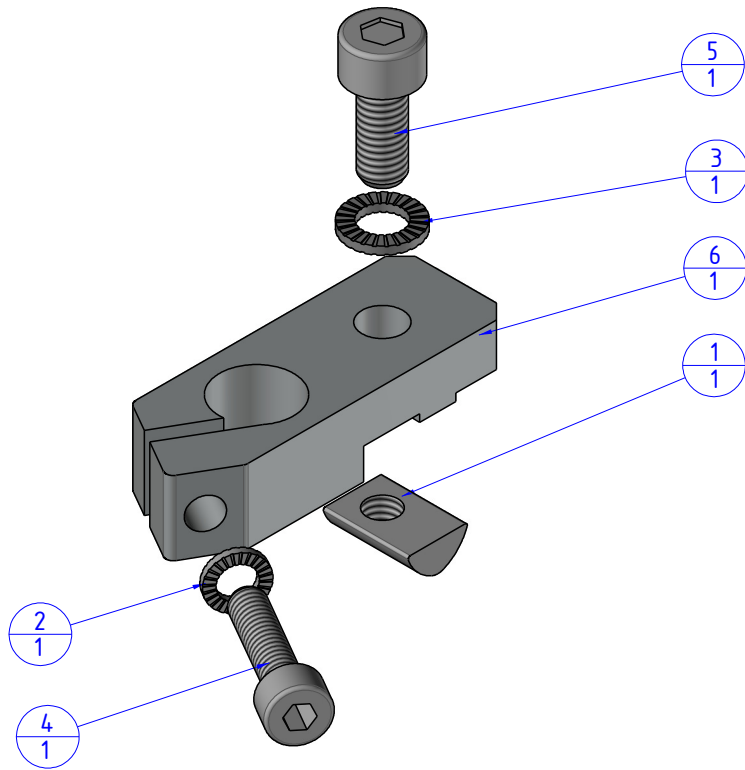



THE PROPERTY OF THE DRAWING IS ESTABLISHED BY LAW. IT IS FORBIDDEN TO PRODUCE OR SHOW IT TO THIRD PART. WITHOUT A WRITTEN AGREEMENT.

Object Number	Name	QTY
1	02.05.003	1
2	R.4.SCH	1
3	R.5.SCH	1
4	V.TCE4x16	1
5	V.TCE5x12	1
6	WST.10.5	1



Format A3

UNI 936-76

 FPS SERVICES AUTOMATION		DESIGNED FROM		REVIEW
		FPS Automation		A
GENERAL TOLERANCE		DATE	WEIGHT	
UNI - ISO 2768		29/07/2019	0,018kg	
CLASSE f	DESCRIPTION	CODE		
	CA.WST.10.5	CA.WST.10.5		